



LTMC7500

7.5 Tonne Professional Series Column Hoists



WIRELESS VERSATILITY - PERFECT FOR THE HEAVY TRANSPORT INDUSTRY



Ideal for:

Heavy vehicle dealerships and commercial workshops that require a 4 or 6 lift point hoist capable of accommodating a wide range of wheel sizes.

Features:

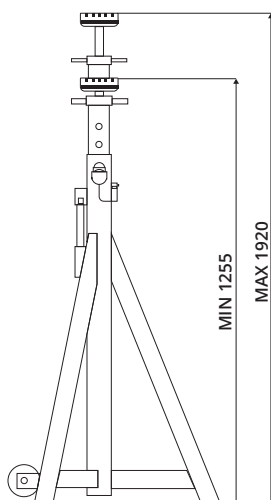
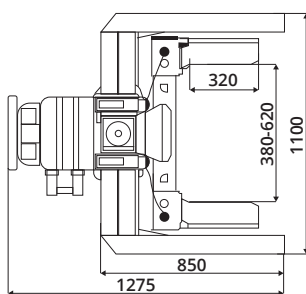
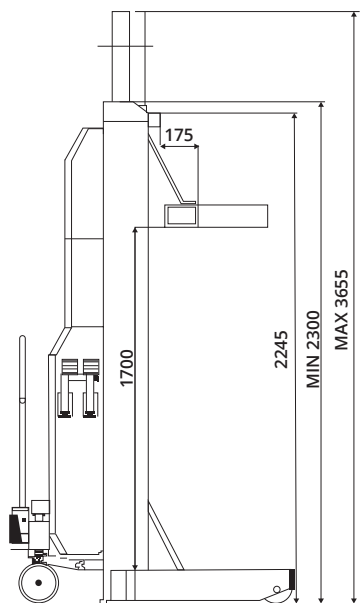
- › Electro hydraulic columns capable of lifting 7.5 tonne per column.
- › Adjustable wheel forks from 560mm to 1140mm.
- › Individual hydraulic wheel jack on each column making them quick and easy to position.
- › Columns can be operated individually or all together.
- › Safety system against obstacles.
- › Mechanical upper height limit stop to protect the piston travel.
- › Flow valve to control the lowering speed.
- › Safety valve against over pressure.
- › Homologated and certified according to the new European Machinery Directive 2006/42/CE and Harmonized standards EN 1493:2010.



If you are not 100% satisfied with your equipment, Treadway Equipped will repair, replace or refund the equipment free of charge within the first 100 days.

LTMC7500

7.5 Tonne Professional Series Column Hoists



Features:

- › Electro hydraulic columns capable of lifting 7.5 tonne per column.
- › Adjustable wheel forks from 560mm to 1140mm.
- › Individual hydraulic wheel jack on each column making them quick and easy to position.
- › Columns can be operated individually or all together.
- › Safety system against obstacles.
- › Mechanical upper height limit stop to protect the piston travel.
- › Flow valve to control the lowering speed.
- › Safety valve against over pressure.
- › Homologated and certified according to the new European Machinery Directive 2006/42/CE and Harmonized standards EN 1493:2010.

SPECIFICATIONS

| | |
|--------------------|--|
| Load capacity | 7500 kg per column |
| Wheel forks length | 320 mm |
| Wheel forks width | 380-620 mm |
| Column height | 2300 mm |
| Overall length | 1275 mm |
| Overall width | 1100 mm |
| Overall height | 3655 mm |
| Lifting stroke | 1800 mm |
| Lifting time | 82 Seconds |
| Motor | 3 Phase 400 V - 50 Hz. 2,2 Kw / Column |
| Weight | 500 kg |

LTMC7500

7.5 Tonne Professional Series Column Hoists

Perfect for the heavy transport industry.



Design & safety



- › **Safe for all vehicles**
Suitable for 100% of vehicles, it is compliant with latest European safety standards



- › **Hydraulic**
4 Cylinders – high quality, hard-pressed chrome, anti-corrosion designed and functionally tested



- › **Design**
Self-lubricating bushings



- › **Design**
Extra platform extensions
Free wheels lift

Options



- › **Optional**
Axle stands



- › **Optional**
Wheel Forks designed for light vehicles



- › **Optional**
Free wheels cross beam
14 Tonne



- › **Optional**
Entry ramps for low forklifts



- › **Optional**
Colour Customisation when purchased from the factory.



OUR PROMISE:

100

ONE HUNDRED DAYS
100% SATISFACTION

If you are not 100% satisfied with your equipment, Treadway Equipped will repair, replace or refund the equipment free of charge within the first 100 days.

0800 436 436
treadwayequipped.co.nz